



# Commode and Shower Chair WHEELABLE Seatar

Assembly in few seconds while sitting in the chair.



Easy transfer thanks to the retractable armrests.



Easily transportable thanks to its small size.



## Portable solutions for inaccessibility toilets and showers.

For many handicapped people, it is especially the simple and most personal things that become the most complicated ones and those that create physical and emotional distress. Yes, the ability to use the toilet in every place, at any time and without limitations, is not yet to be taken for granted. It is precisely from this view, that Seatar is launching the Wheelable, a unique commode and shower chair which will enable any handicapped person to use a regular toilet stall.

Now, handicapped people may enjoy the freedom of movement and ability to travel abroad, to visit distant family members, to sleep outside of their homes and to be independent and worry-free about accessibility issues. In short, the Wheelable wheelchair allows you to be just as you once were or as you would like to be.



The advantages of the Wheelable commode chair are, among others, that its frame folds easily, the wheel system is built to allow easy maneuvering in close spaces, it is water-resistant, lightweight, it is suitable for self propulsion, has wheel lock using a safety latch, and many more. The Wheelable wheelchair folds up to a size that can easily be placed in the trunk of a car and on a plane.

## Available options :



Storage bag



Bedpan



Seat bottom

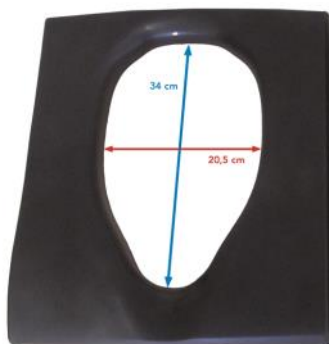
### DIMENSIONS :

#### Open

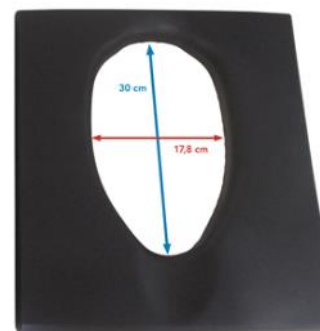
Overall width: 48 cm  
 Length: 67 cm  
 Seat width: 41 cm (between retractable armrests)  
 Seat height: 53 cm  
 Backrest height: 39 cm  
 Overall height: 92cm

#### Folded

Width: 23 cm  
 Height: 54 cm  
 Length: 67cm  
 Weight: 11.6 kg  
 Capacity: 130 kg



Standard seat  
 additionnal



Small seat  
 additionnal



Footrest extension



Footrest holder

### CHARACTERISTICS :

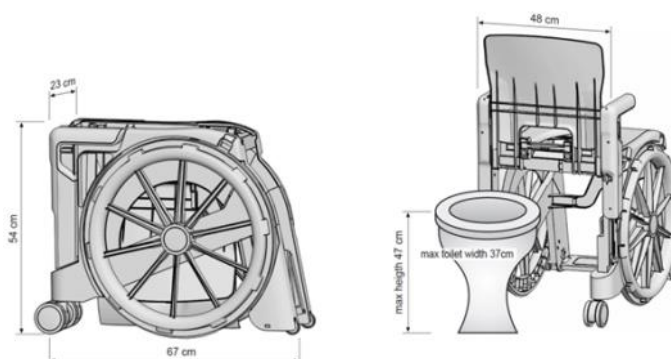
An armchair for indoor use, weighing 11.6 kg.

Manufacturing in plastic injection, with innovative components.

All metal parts are made of stainless steel.

Hermetic brakes.

Footrest adjustable in height.



**AXSOL**  
**EXPORT**

45, avenue Georges Politzer - 78190 TRAPPES - France  
 Tél. : +33 1 85 83 02 10 - Email : info@axsol-export.eu